

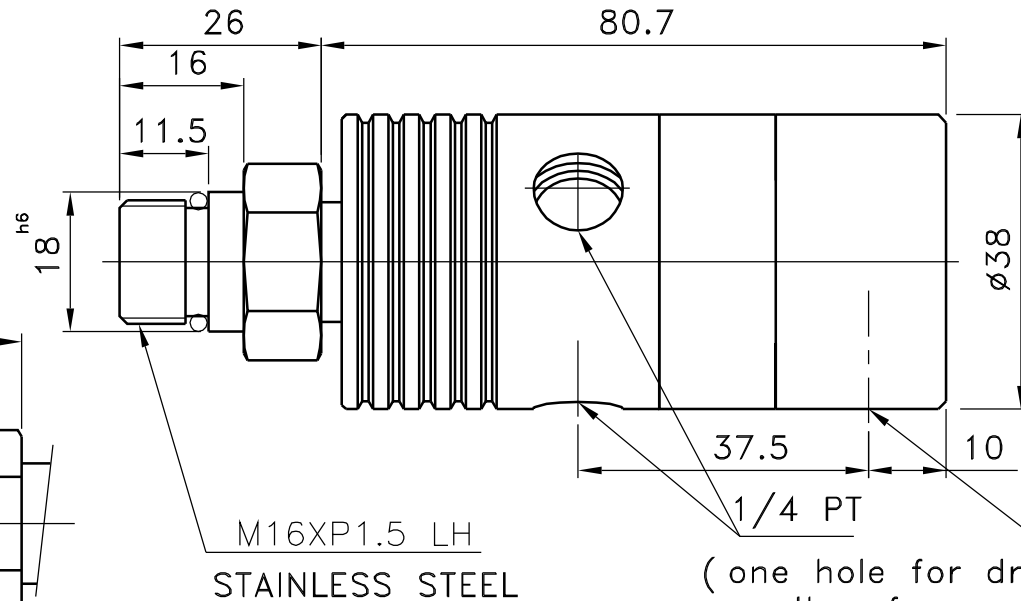
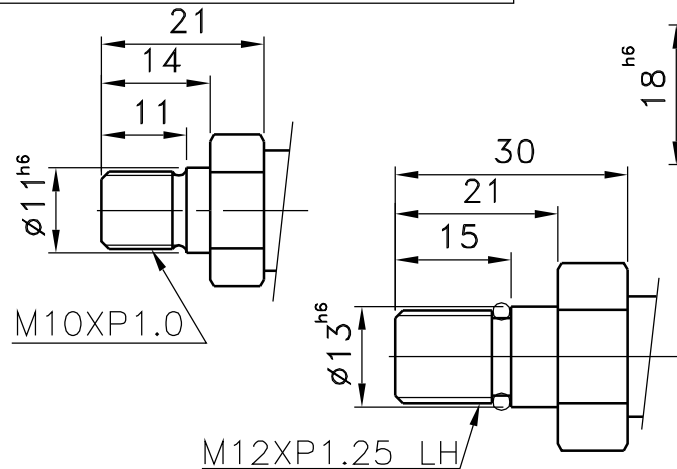
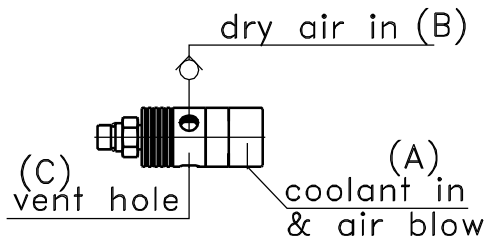
SMARTC. COMPANY

GU2000v

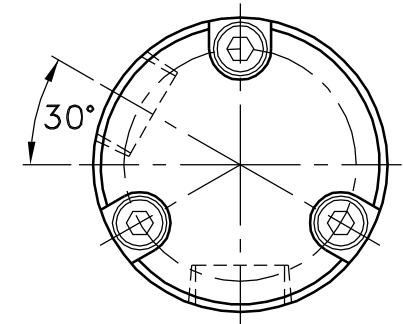
GU-200VS

BEARING SUPPORTED UNIONS *POP-OFF*

ROTATING UNIONS FOR CNC MACHINING CENTERS



ALUMINUM HOUSING WITH COOLING FINNS



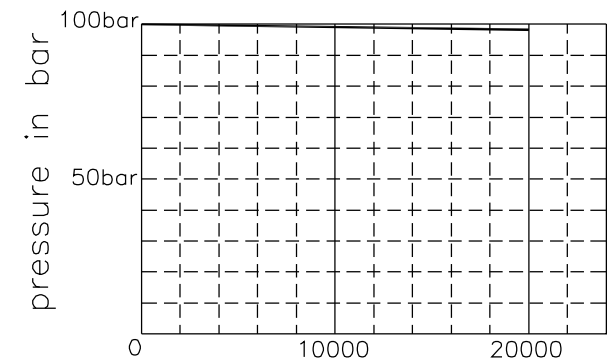
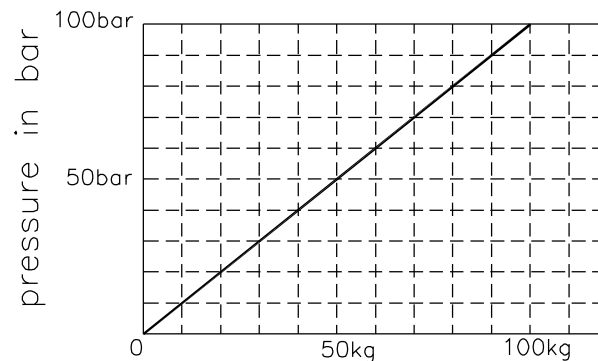
(one hole for dry air in another for vent hole)

OPERATING DATA

M16XP1.5 LH MAX. RPM 20000
 M12XP1.25 LH MAX. RPM 18000
 M10XP1.0 RH MAX. RPM 16000

MAX. PRESSURE 100 bar
 MAX. TEMPERATURE 110°C
 DRY RUN
 FILTRATION 20 µm

seal closing requirement :
 MIN. PRESSURE 2 bar
 MIN. FLOW RATE 8 L/min



<http://smartc.company>