

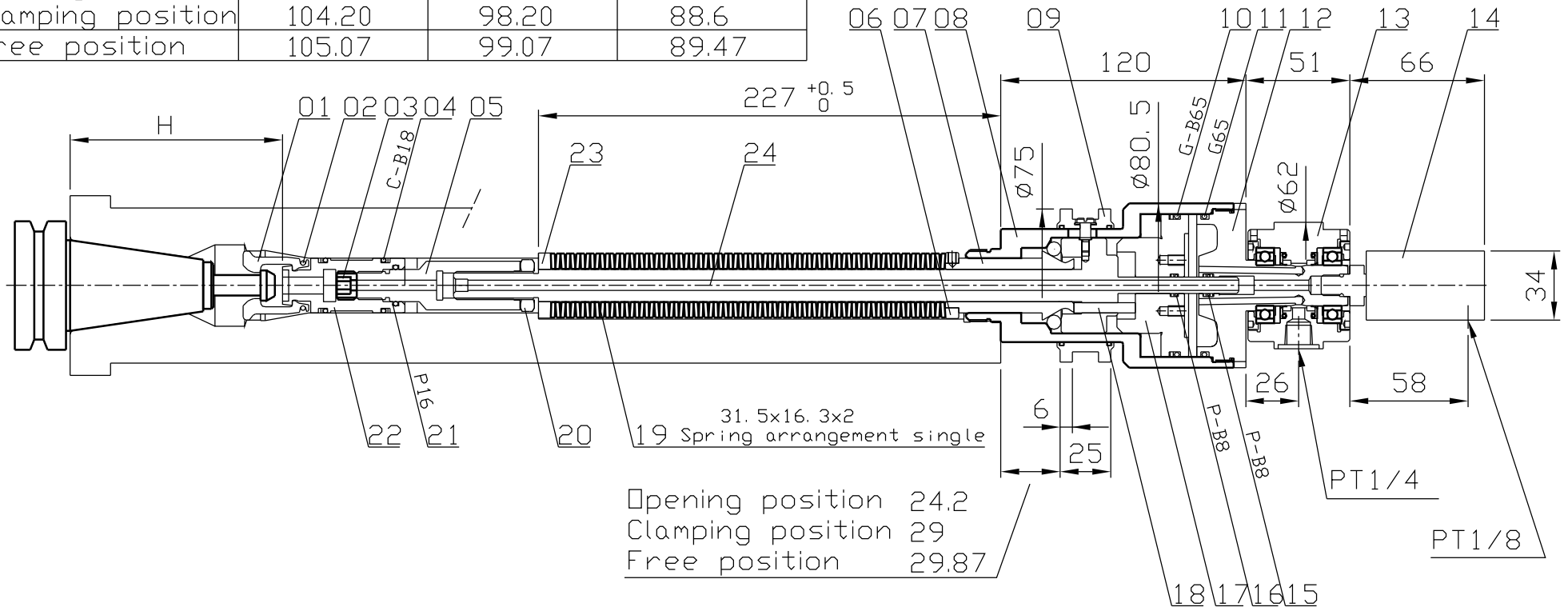
40PSTA/1200

40PS2010

Id. no.

Com. no.

H	MAS BT	DIN 69871/69872	CAT
Opening position	99.40	93.40	83.8
Clamping position	104.20	98.20	88.6
Free position	105.07	99.07	89.47



Spring pressure 3000N (in clamping position)
 Spring arrangement single
 Pull force 12000N (in clamping position)
 speed 10000 rpm
 opening force 50 bar (only when non-rotating)
 coolant lubrication max. 80 bar
 air max. 10bar
 total clamping stroke 5.6mm
 ejection stroke 1mm

<http://smartc.company>

S.M.

date

00/7/7