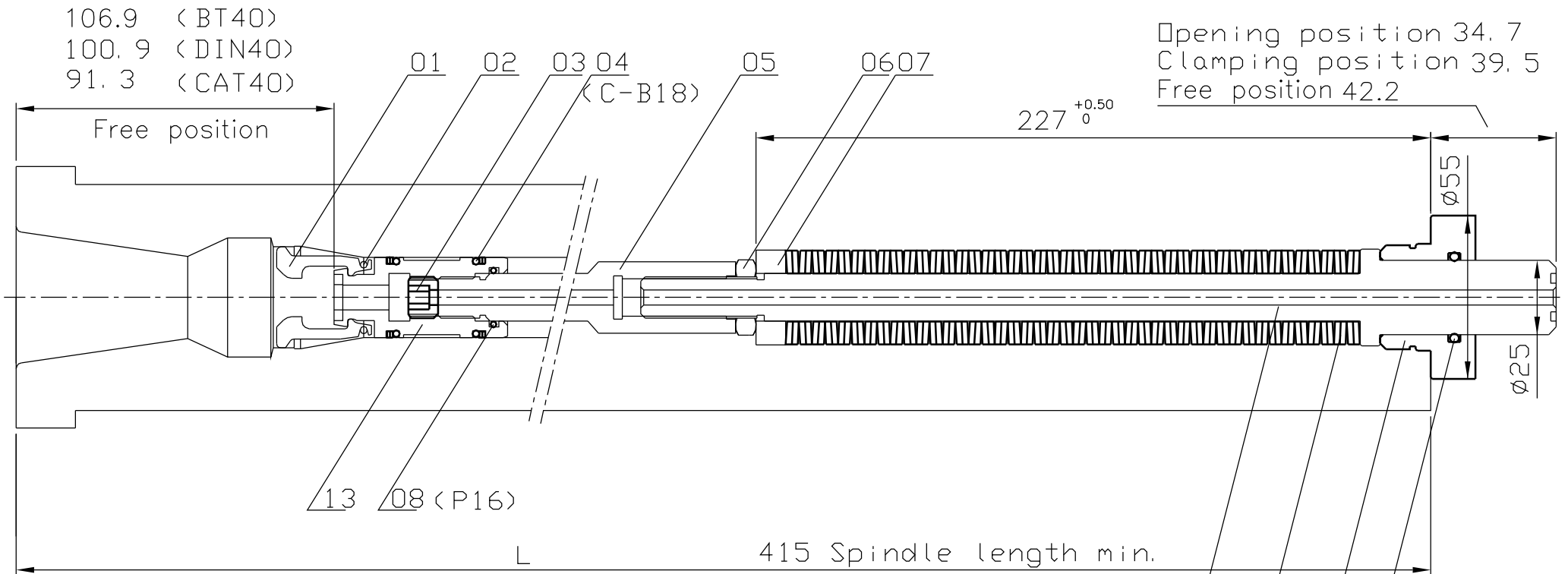


40PDBS/750

40PS750

Id. Nr.

Com. Nr.



<http://smartc.company>

Spring arrangement double
Pull-in force 7650N ±10%
Opening force 11500N

S.M.

date

00/7/7